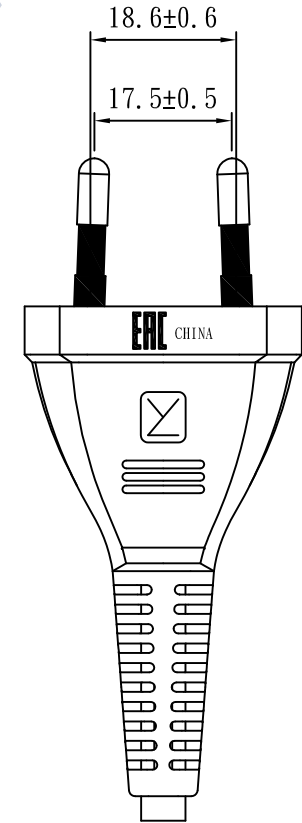
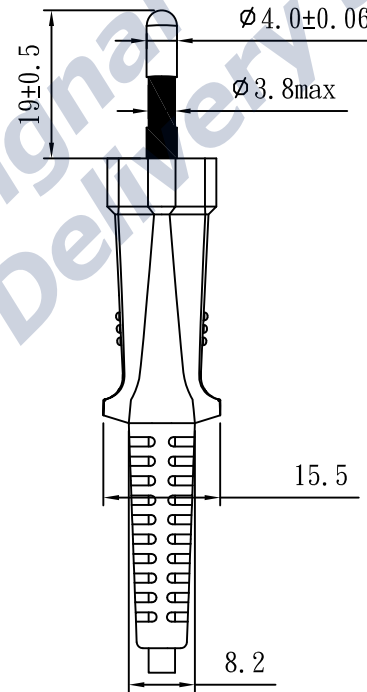
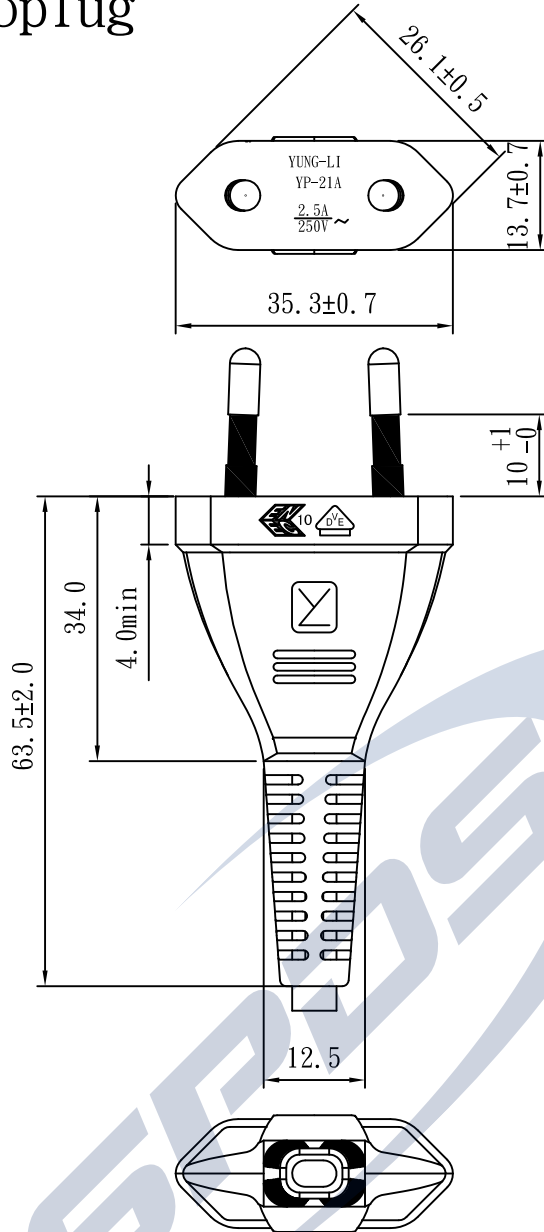
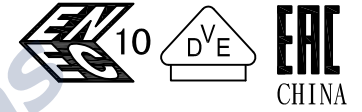


# CEE7/16 Europlug



TOLERANCE >0±0.30 >1.0±0.50 >10.0±1.0 >20.0±2.0 Angle: ±1°	APPROVED		DATE		YUNG LI CO., LTD			
	CHECKED		DATE					
	DRAWN		DATE					
	TYPE	YP-21A-ENEC			P/N			
DRAWING NO.	CY-P21AV			MATERIAL	P. V. C	UNIT	mm	
				SCALE	1:1			