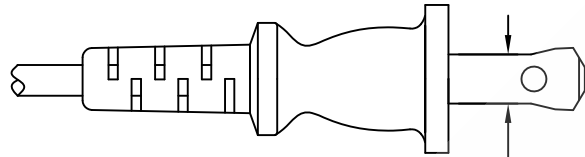
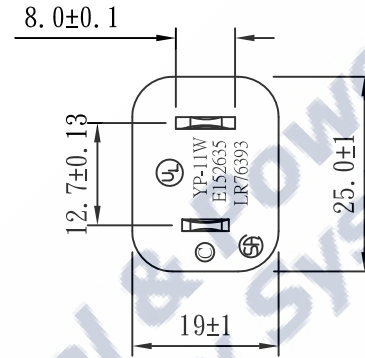
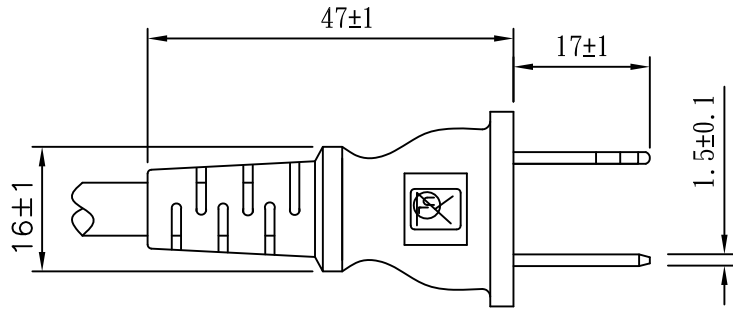
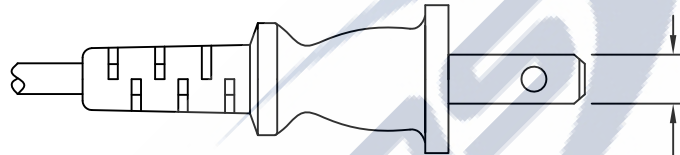




NEMA 1-15P



6.3±0.1



6.3±0.1

TOLERANCE >0±0.30 >1.0±0.50 >10.0±1.0 >20.0±2.0 Angle: ±1°	APPROVED		DATE		YUNG LI CO., LTD			
	CHECKED		DATE					
	DRAWN		DATE					
	TYPE	YP-11W			P/N			
	DRAWING NO.	CY-P11WU			MATERIAL	P. V. C	UNIT	mm
					SCALE	1:1		