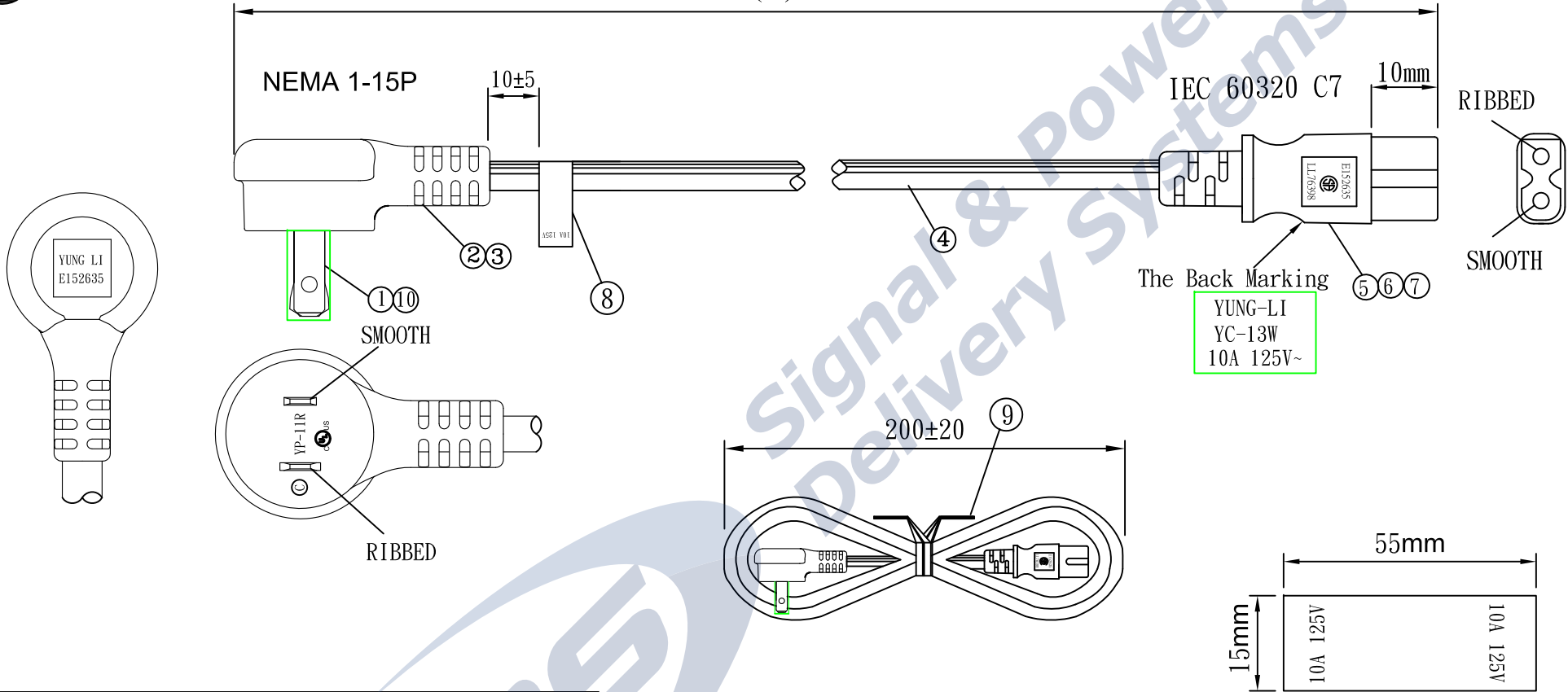




REV	DATE	DRAFTER	DESCRIPTION
C	2017.09.11	SUKI	Add CUL approval marking onto the plug mold.

(6')1830±50



NO.	SPECIFICATION	QTY	REMARK
1	TER:98662BS-1	2PCS	
2	YP-11R INNER BODY	1PC	
3	YP-11R PVC PLASTIC:35P BLACK	15g/PC	
4	SPT-2 18/2C 105 °C BLACK	1PC	
5	YC-13W PVC PLASTIC:35P BLACK	9g/PC	
6	YC-13W H. S. G	1PC	
7	YC-13W TER 98714	2PCS	
8	LABEL: 35*15mm	1PC	
9	MINI TIE:L=130mm BLACK	1PC	
10	SLEEVE WHITE	1PC	

TOLERANCE >0±0.30 >1.0±0.50 >10.0±1.0 >20.0±2.0 Angle: ±1°	APPROVED	DATE	SPDS				
	CHECKED	DATE					
	DRAWN	SUKI	DATE	17.09.11	CUSTOMER		
	TYPE	YP-11R/YC-13W		P/N	P-11R13W-06B		
	DRAWING NO.	CY-U1778	REV	C	MATERIAL	P. V. C	UNIT
				SCALE			