

MARKING: YP-61 YUNG-LI

$\frac{13}{250}$  ~ BS1363/A (2012)  
MADE IN CHINA



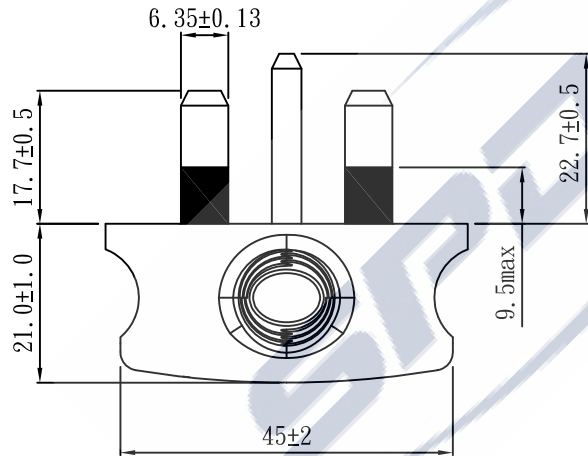
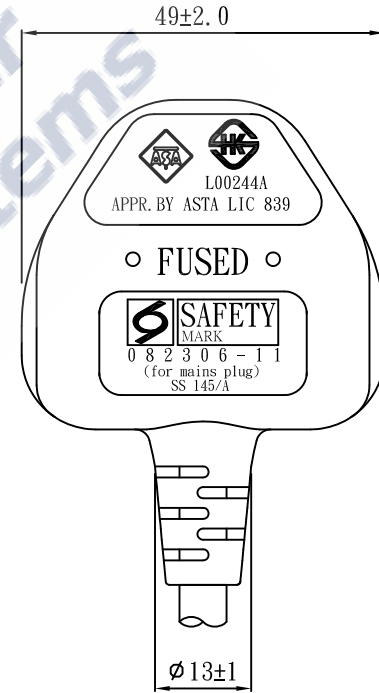
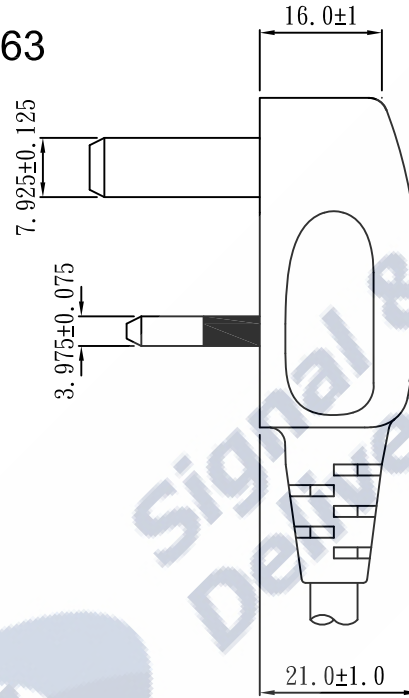
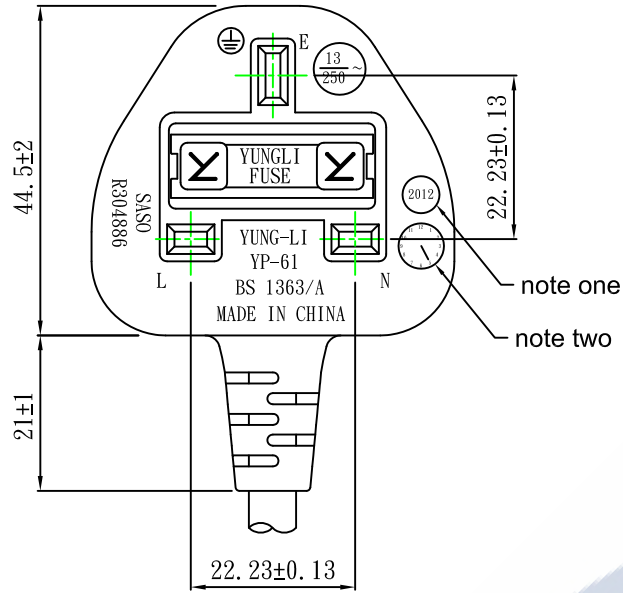
APPR. BY ASTA LIC 839



SASO R304886



BS 1363



note one:production of year.(must be changed every year)  
note two:production of month point(must be changed every month)

TOLERANCE >0±0.30 >1.0±0.50 >10.0±1.0 >20.0±2.0 Angle: ±1°	APPROVED		DATE		YUNG LI CO., LTD			
	CHECKED		DATE					
	DRAWN		DATE					
	TYPE	YP-61(13A)			P/N			
DRAWING NO.	CY-P61B13A			MATERIAL	P. V. C	UNIT	mm	
				SCALE	1:1			