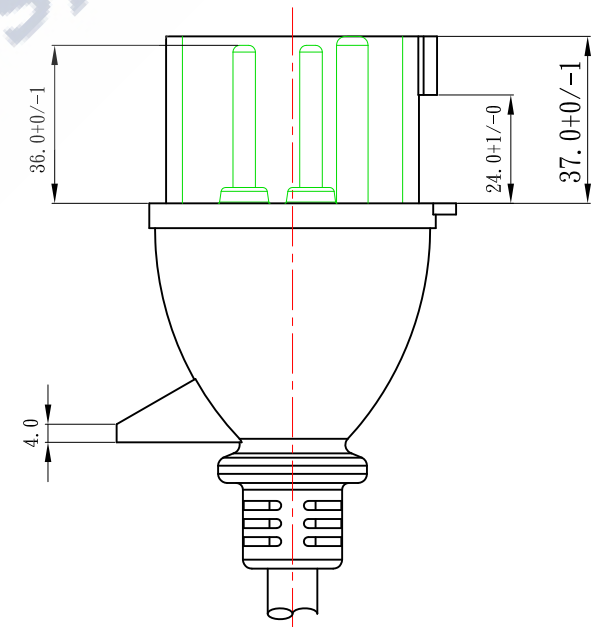
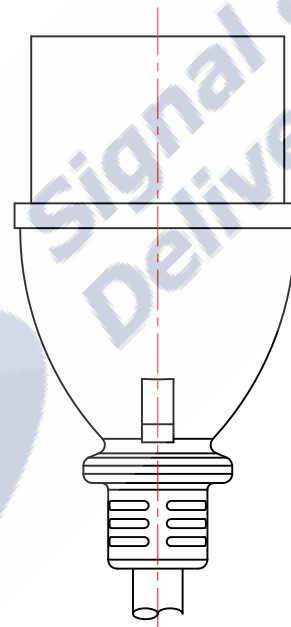
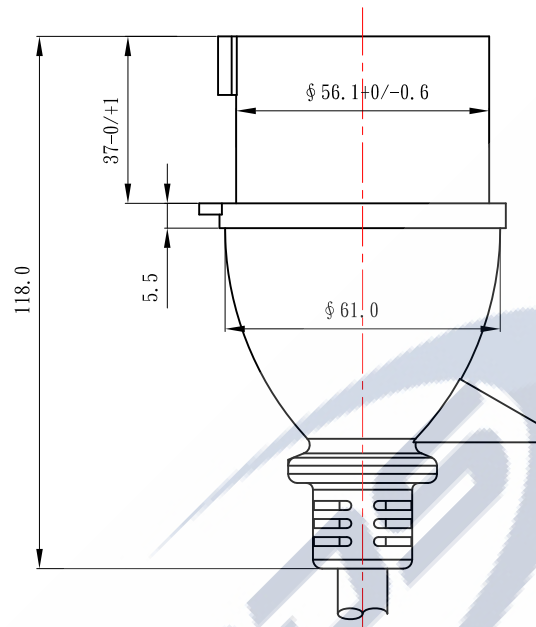
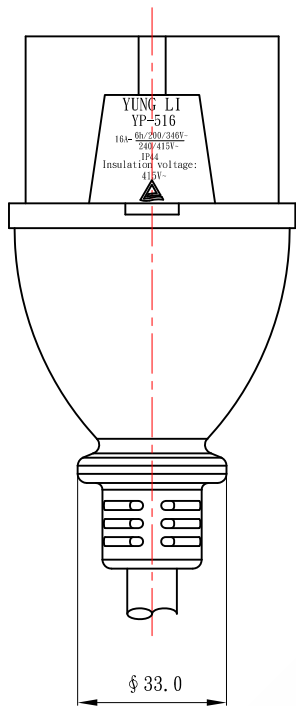
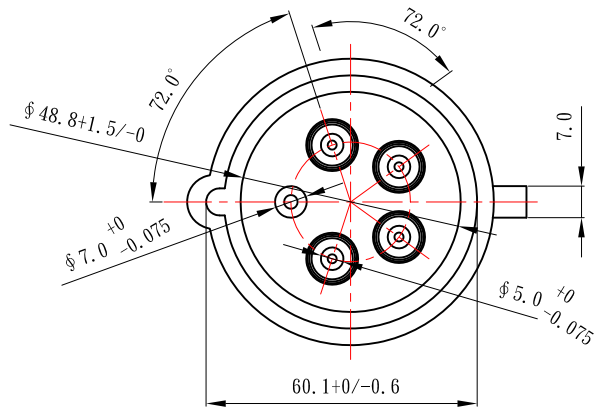




IEC 60309 516P6



TOLERANCE $>0 \pm 0.30$ $>1.0 \pm 0.50$ $>10.0 \pm 1.0$ $>20.0 \pm 2.0$ Angle: $\pm 1^\circ$	APPROVED		DATE		YUNG LI CO., LTD					
	CHECKED		DATE							
	DRAWN		DATE		CUSTOMER					
	TYPE	YP-516				P/N				
	DRAWING NO.		REV	B	MATERIAL	P. V. C	UNIT	mm		
				SCALE	1:1					