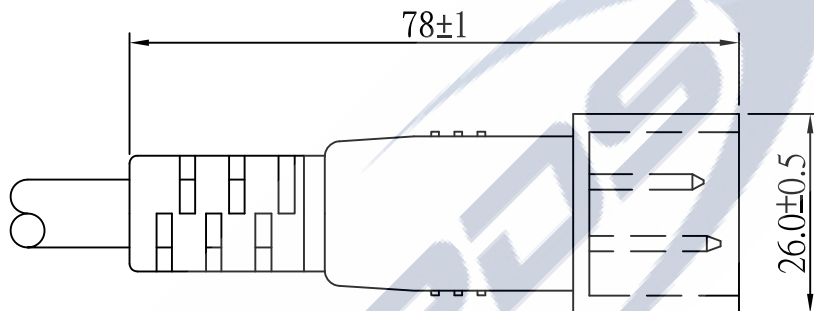
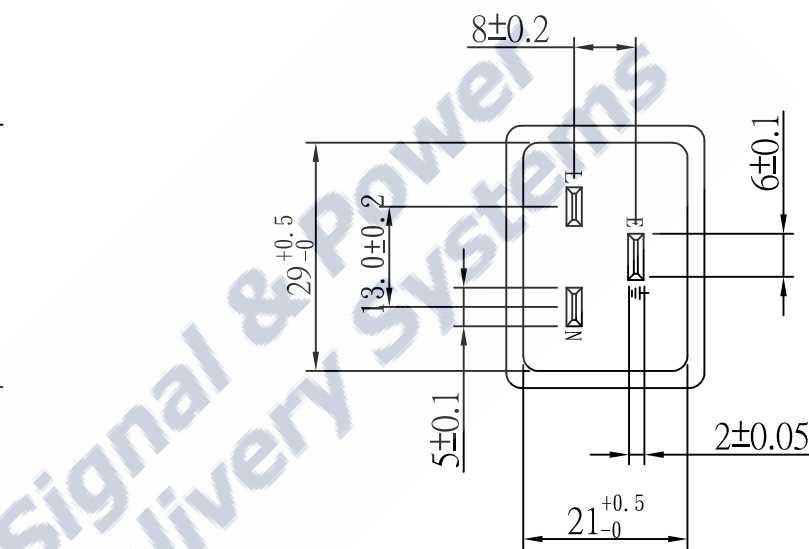
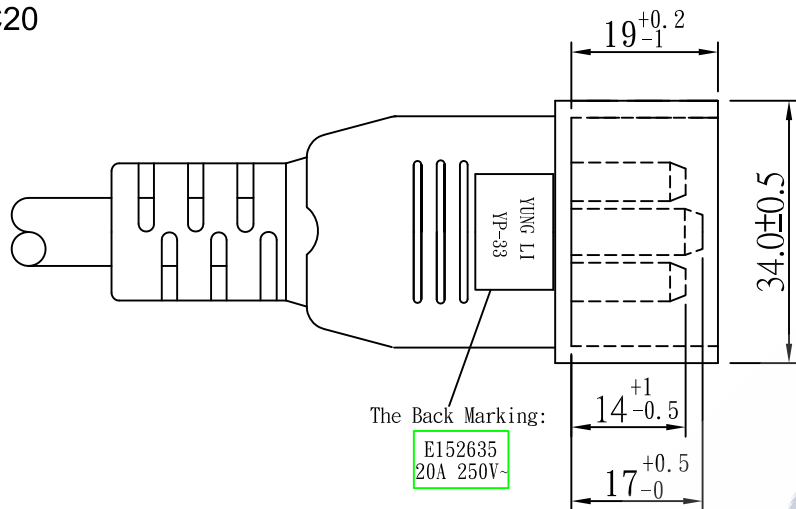




IEC 60320 C20



TOLERANCE >0±0.30 >1.0±0.50 >10.0±1.0 >20.0±2.0 Angle: ±1°	APPROVED		DATE		YUNG LI CO., LTD.			
	CHECKED		DATE					
	DRAWN		DATE					
	TYPE	YP-33		P/N				
	DRAWING NO	CY-P33U		MATERIAL	P.V.C	UNIT	mm	
				SCALE	1:1			