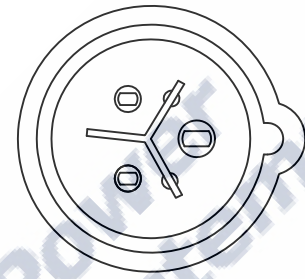
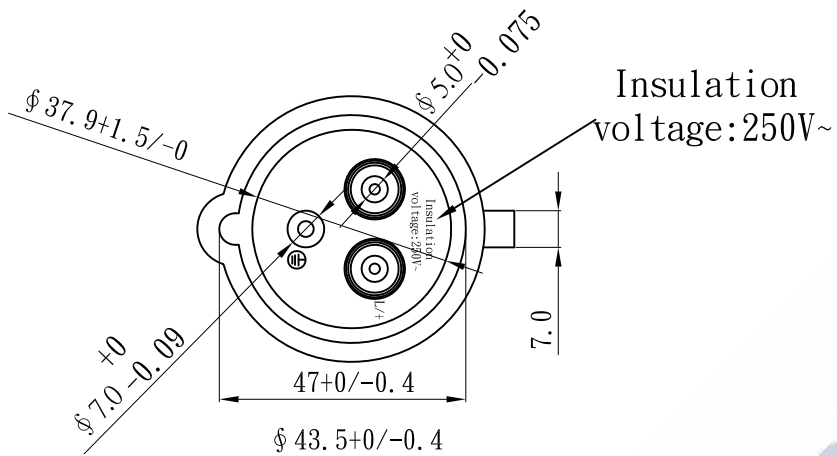
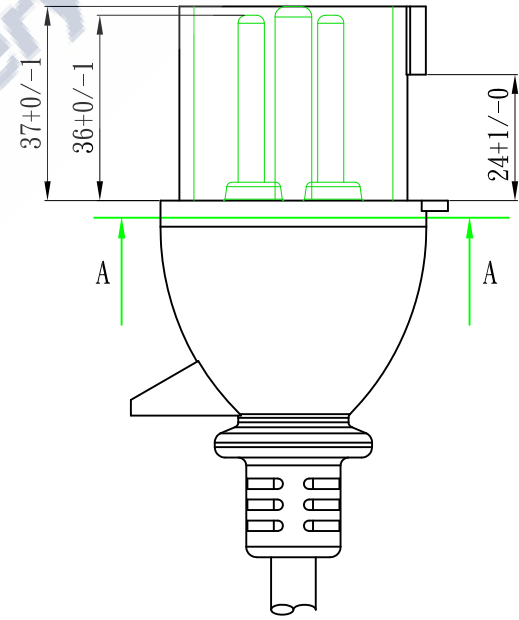
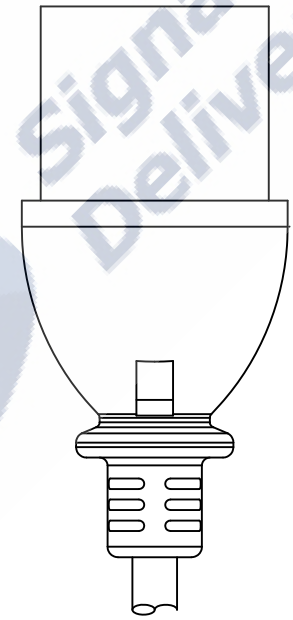
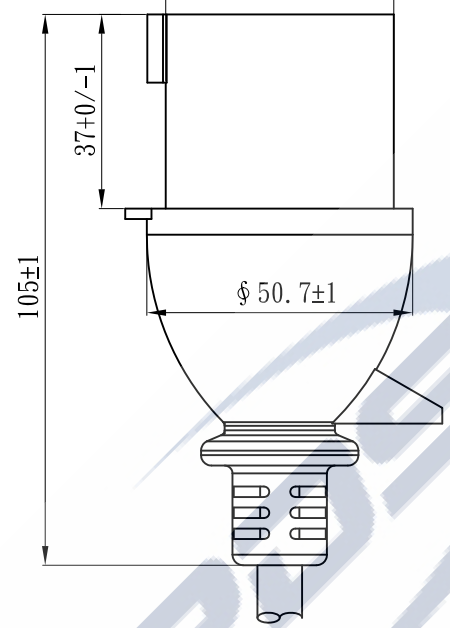
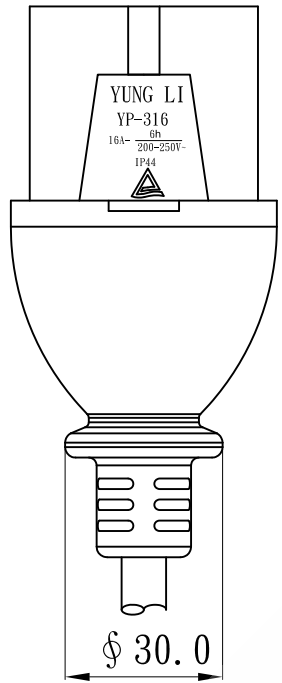




IEC 60309 316P6



A--A



TOLERANCE $>0\pm 0.30$ $>1.0\pm 0.50$ $>10.0\pm 1.0$ $>20.0\pm 2.0$ Angle: $\pm 1^\circ$	APPROVED		DATE	YUNG LI CO., LTD				
	CHECKED		DATE					
	DRAWN		DATE					
	TYPE	YP-316			P/N			
	DRAWING NO.		REV	B	MATERIAL	P. V. C	UNIT	mm
				SCALE	1:1			