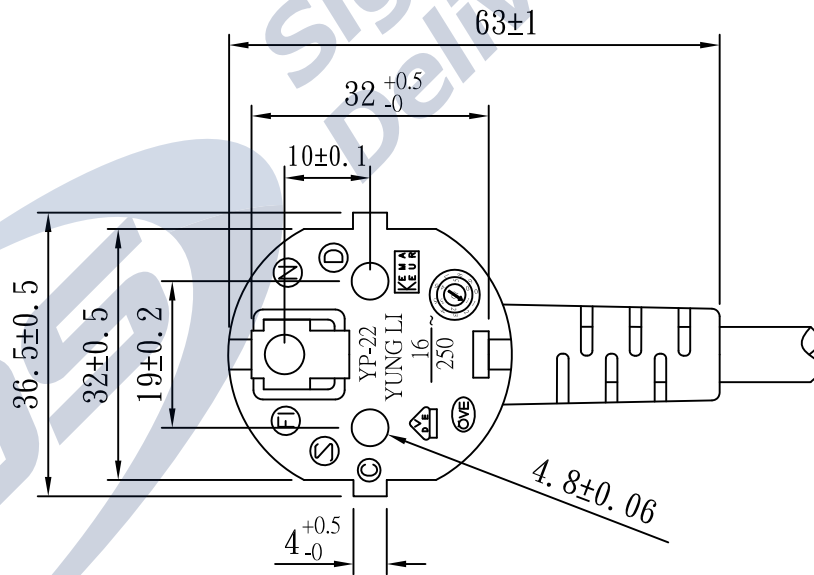
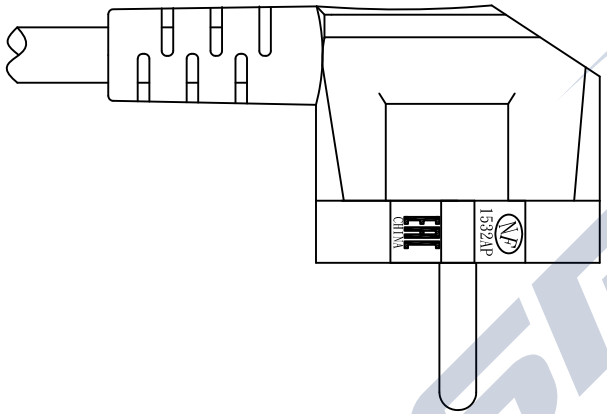
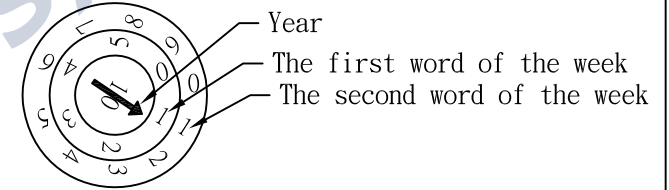
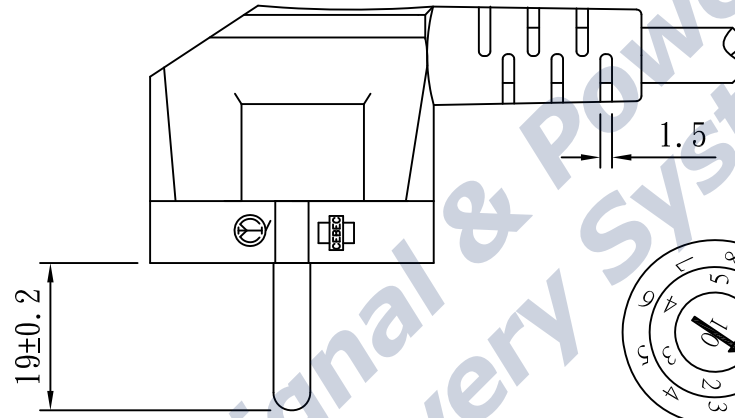
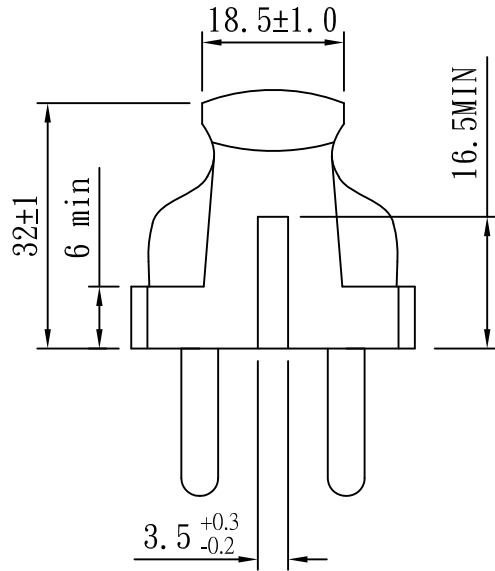
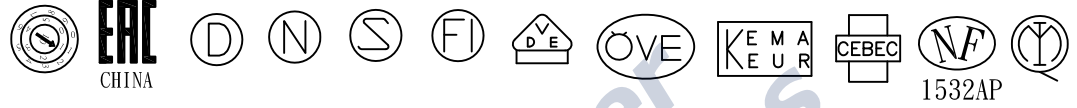


CEE 7/7 Down Angle



TOLERANCE >0±0.30 >1.0±0.50 >10.0±1.0 >20.0±2.0 Angle: ±1°	APPROVED		DATE		YUNG LI CO., LTD.				
	CHECKED		DATE						
	DRAWN		DATE						
	TYPE	YP-22			P/N				
DRAWING NO				SCALE	1:1	MATERIAL	P.V.C	UNIT	mm