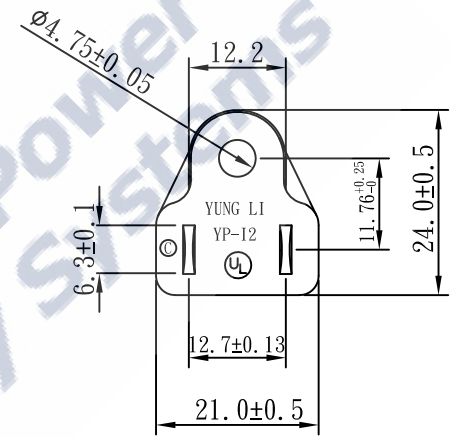
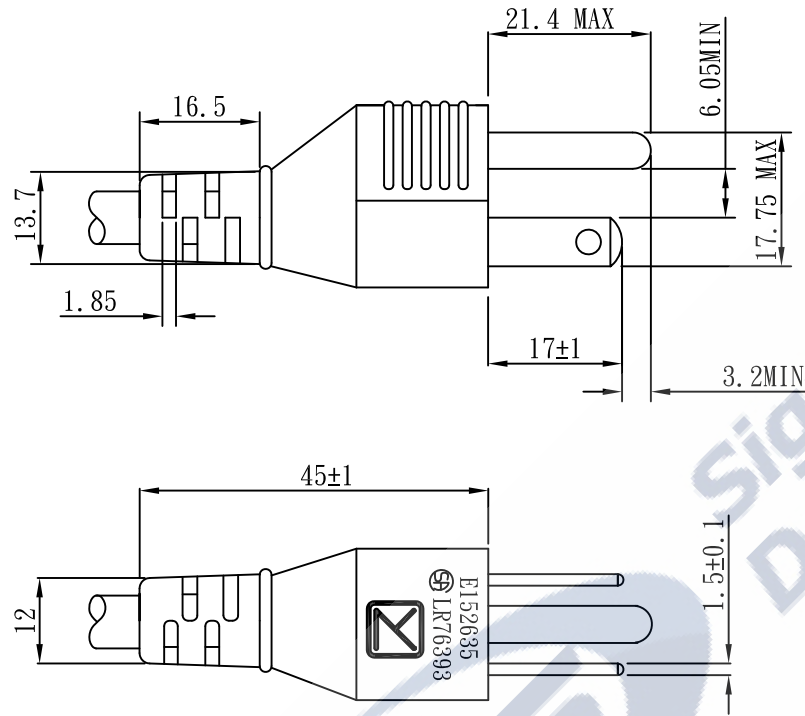




NEMA 5-15P



TOLERANCE >0±0.30 >1.0±0.50 >10.0±1.0 >20.0±2.0 Angle: ±1°	APPROVED		DATE		YUNG LI CO., LTD			
	CHECKED		DATE					
	DRAWN		DATE					
	TYPE	YP-12			P/N			
	DRAWING NO.	CY-P12U	REV	B	SCALE	1:1	UNIT	mm