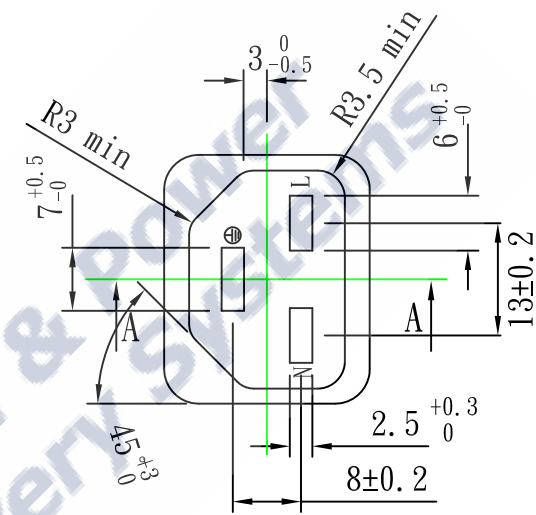
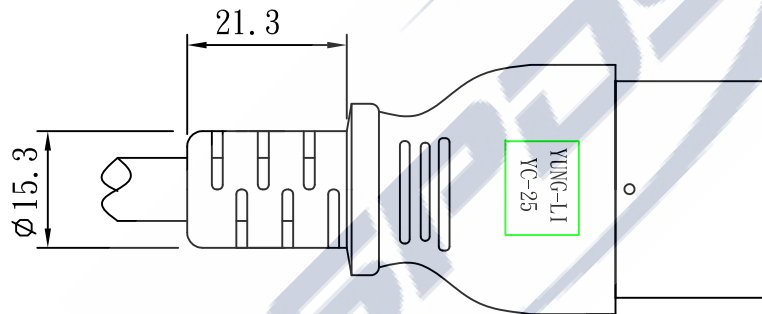
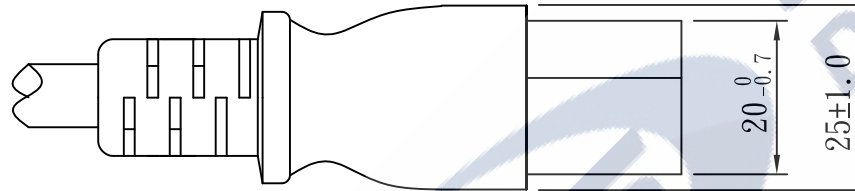
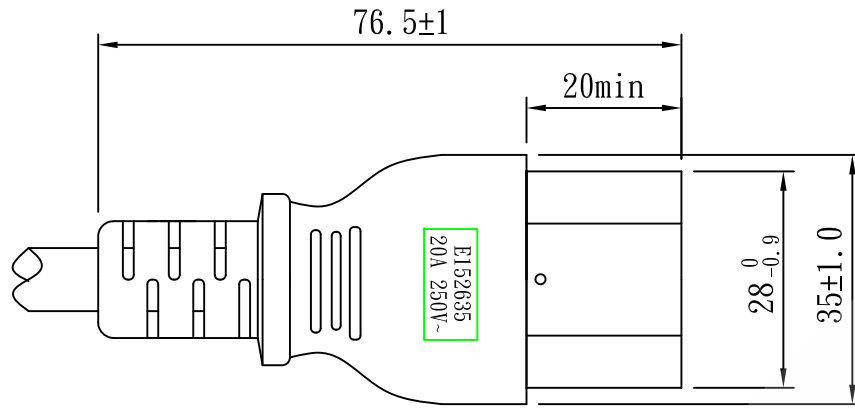




IEC 60320 C21



| | | | | | | | | |
|------------------------------------------------------------------------------|-------------|-------|------|-------|------------------|---------|------|----|
| TOLERANCE >0±0.30 >1.0±0.50 >10.0±1.0 >20.0±2.0 Angle: ±1° | APPROVED | | DATE | | YUNG LI CO., LTD | | | |
| | CHECKED | | DATE | | | | | |
| | DRAWN | | DATE | | CUSTOMER | | | |
| | TYPE | YC-25 | | | P/N | | | |
| | DRAWING NO. | | REV | B | MATERIAL | P. V. C | UNIT | mm |
| | | | | SCALE | 1:1 | | | |