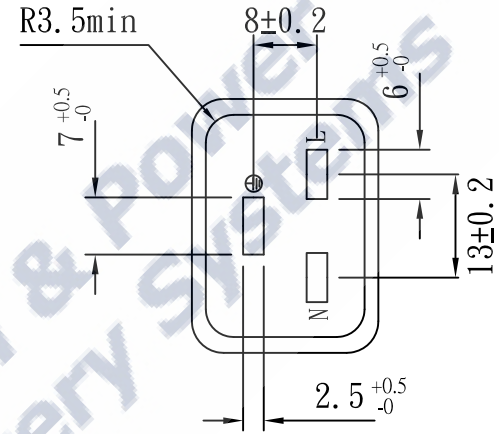
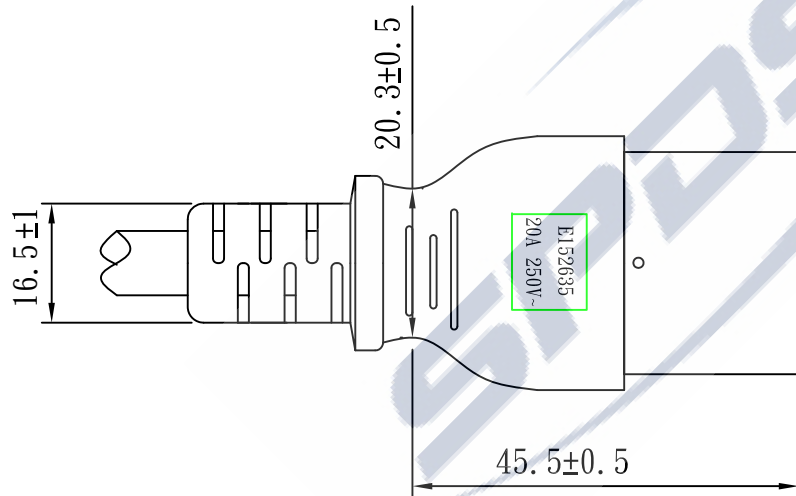
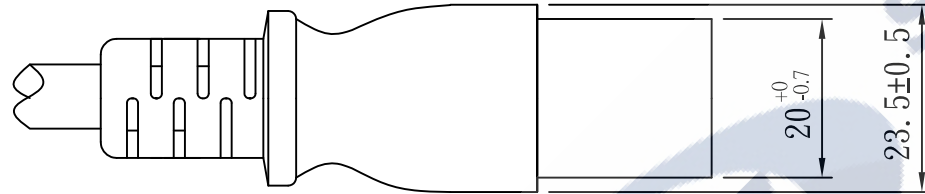
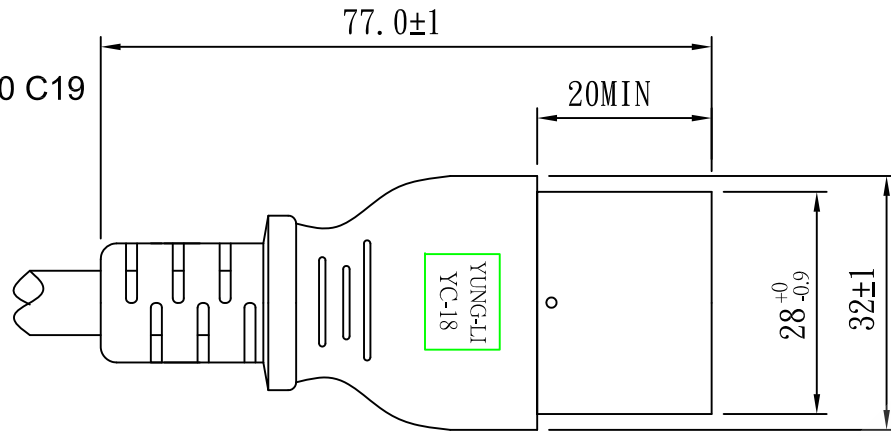




IEC 60320 C19



TOLERANCE >0±0.30 >1.0±0.50 >10.0±1.0 >20.0±2.0 Angle: ±1°	APPROVED		DATE		YUNG LI CO., LTD			
	CHECKED		DATE					
	DRAWN		DATE		CUSTOMER			
	TYPE	YC-18			P/N			
	DRAWING NO.	CY-C18U	REV	B	MATERIAL	P. V. C	UNIT	mm
				SCALE	1:1			