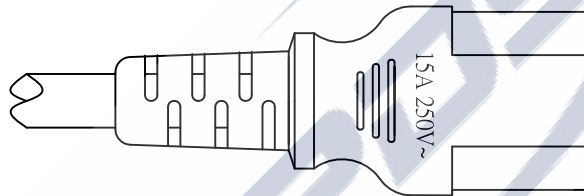
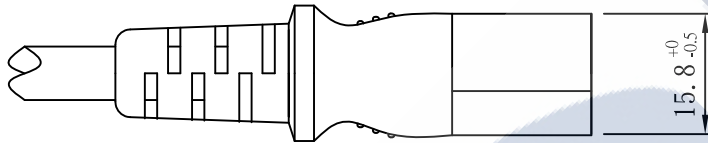
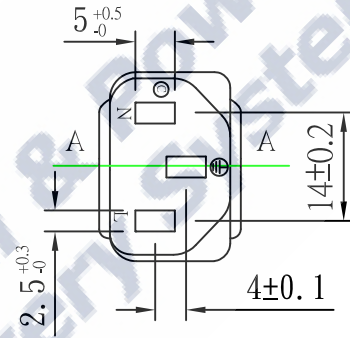
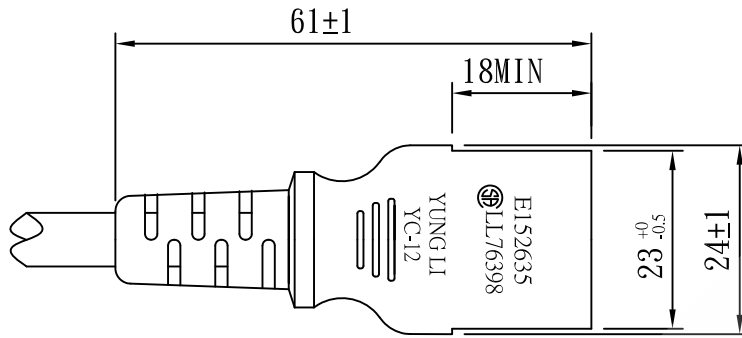




IEC 60320 C13



TOLERANCE >0±0.30 >1.0±0.50 >10.0±1.0 >20.0±2.0 Angle: ±1°	APPROVED		DATE		YUNG LI CO., LTD				
	CHECKED		DATE						
	DRAWN		DATE		CUSTOMER				
	TYPE	YC-12				P/N			
						MATERIAL	P. V. C	UNIT	mm
	DRAWING NO.		REV	B	SCALE	1:1			